

Zoe



COLOURFUL AND VERSATILE
Custom panel colours available POA



SHOT TIMER
To accurately and reliably time coffee extraction



LED LIGHTING OF THE WORKING AREA
Effective work station no matter the light conditions.



Zoe Vision



EASY SERVICE
Fast access to the internal parts for quick and easy technical service

LOW SERVICE COST
Designed to decrease the maintenance and inspection costs



Characteristics Zoe Vision



LED LIGHTING OF THE WORK AREA
Allows efficient working in any condition of environmental lighting.



SHOT TIMER
To accurately and reliably time coffee extraction.



AUTOSTEAM
Steam wand characterised by an electronic system that allows you to mount and/or heat milk at the set temperature.



CUP WARMER
Dedicated resistor to keep all the cups at the optimal temperature.

Characteristics all models



ELECTRONIC AUTO-LEVEL
Through an electronic level probe the boiler is automatically filled and maintained to the right filling level.



EASY SERVICE
Fast access to the internal parts for quick and easy technical service.



ACTIVATED ELECTRONIC PRE-INFUSION
Management of the delayed activation of water solenoid in the first phase of brewing.



AUTOMATIC CLEANING CYCLE
Process for coffee group cleaning.



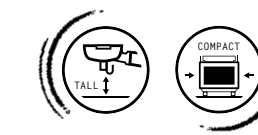
DOUBLE READING GAUGE
Allows you to control at the same time the boiler pressure and the distribution pressure.



EXTERNAL VOLUMETRIC PUMP



NAKED PORTAFILTERS



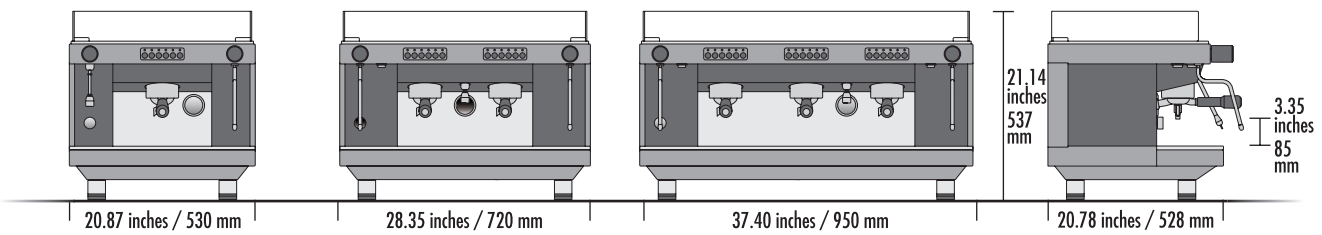
COMPLETE RANGE
Available versions VISION, SED, SED "Tall" and "Compact"



Version with shot timer and barista lights



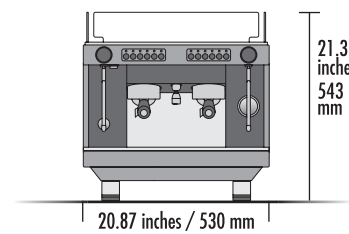
Guarantees an electronic dosing system through the button panel



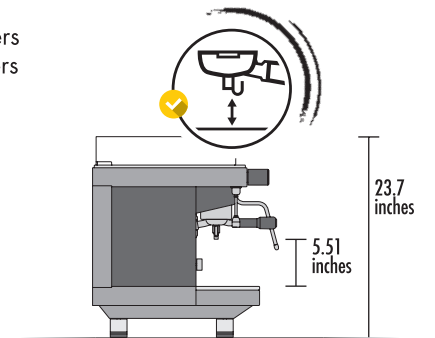
1 group SED/SAP
1 steam tap
1 water tap
1 one-cup portafilters
1 two-cup portafilters

2 group SED/SAP
2 steam taps
1 water tap
1 one-cup portafilters
2 two-cup portafilters

3 group SED/SAP
2 steam taps
1 water tap
1 one-cup portafilters
3 two-cup portafilters



2 group
2 steam taps
1 water tap
1 one-cup portafilters
2 two-cup portafilters



2-3 group SED SAP

Technical data		1 group	2 group	3 group	compact
voltage	V		220-240 1N / 380-415 3N		
power input	kW	2.7	3.3	6	2.3
steam boiler capacity	US gal / lt	1.85 / 7	2.64 / 10	3.7 / 14	1.19 / 4.5
steam boiler power	kW	2.5	2.95	5.6	2.15
pump power	kW	0.13	0.13	0.13	0.13
net weight	lb / kg	99 / 45	121 / 55	152 / 69	90 / 41

Colours

	Black	RAL 9005
	White Black	RAL 9003 9005
	White Red	RAL 9003 3002



Zoe
Link to the website

Customisation of internal panels with graphics and colours (on request).

